

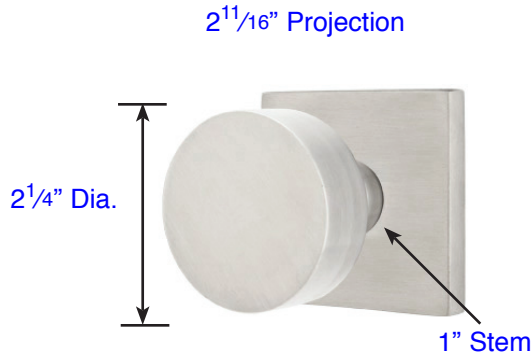
See page 3 for rosette specification.

**Door Thickness Specifications**

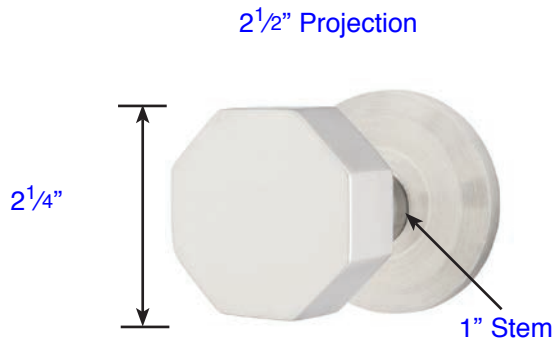
- Standard Door Thickness: 1 1/4" - 2"
- Standard Components:
  - Privacy Pin (for privacy sets)
  - Inside Passage Half Spindle
  - 1 1/2" Rosette Screws
  - Full-Lip Strike Plate

- **Extended** Door Thickness: 2" - 2 1/2"
- Extended Components:
  - Privacy Pin w/ Extension (for privacy sets)
  - Long Inside Passage Half Spindle
  - 2" Rosette Screws
  - Extended Full-Lip Strike Plate

- **Extended** Door Thickness: 2 1/2" - 3"
- Extended Components:
  - Privacy Pin w/ Extension (for privacy sets)
  - Extra Long Inside Passage Half Spindle
  - 2 1/2" Rosette Screws
  - Extended Full-Lip Strike Plate



**Round (RNK)**  
with Square Rosette



**Octagon (OK)**  
with Beveled Rosette

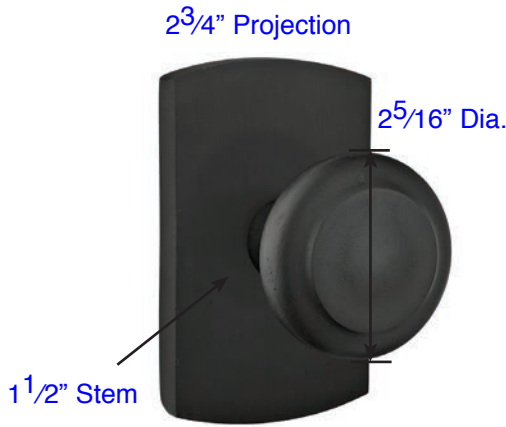
Rosettes
<p>3/8" Thick</p> <p>Beveled</p>  <p>2 7/16" Dia.</p>
<p>Disk</p>  <p>2 1/2" Dia.</p>
<p>Square</p>  <p>2 1/2" x 2 1/2"</p>

Door Thickness Specifications

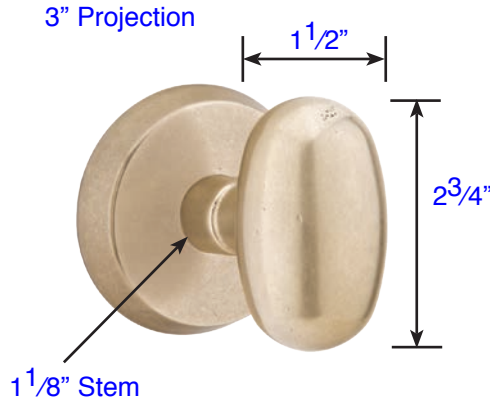
- Standard Door Thickness: 1 3/8" - 2"
- Standard Components:
  - Privacy Pin (for privacy sets)
  - Inside Passage Half Spindle
  - 1 1/2" Socket Head Machine Screws
  - Full-Lip Strike Plate

- **Extended** Door Thickness: 2" - 2 1/2"
- Extended Components:
  - Privacy Pin w/ Extension (for privacy sets)
  - Long Inside Passage Half Spindle
  - 2" Socket Head Machine Screws
  - Extended Full-Lip Strike Plate

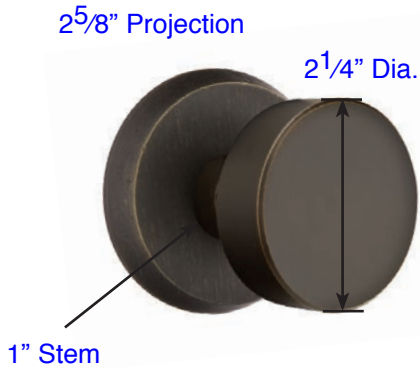
- **Extended** Door Thickness: 2 1/2" - 2 3/4"
- Extended Components:
  - Privacy Pin w/ Extension (for privacy sets)
  - Long Inside Passage Half Spindle
  - 2 1/2" Socket Head Machine Screws
  - Extended Full-Lip Strike Plate



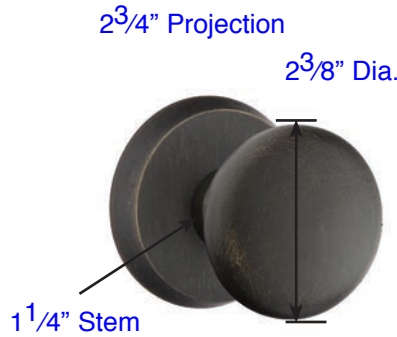
**Butte (BU)**  
 with #4 Rosette








**Bronze Egg (BZE)**  
 with #2 Rosette



**Round (BZRN)**  
 with #2 Rosette



**Winchester (WC)**  
 with #2 Rosette

Rosettes	
7/16" Thick	<p>#1</p>  <p>4 1/2" x 2 1/2"</p>
	<p>#2</p>  <p>2 3/4" Dia.</p>
	<p>#3</p>  <p>4 1/2" x 2 1/2"</p>
1/2" Thick	<p>#4</p>  <p>4 1/2" x 2 13/16"</p>
7/16" Thick	<p>#6</p>  <p>2 1/2" x 2 1/2"</p>

**Door Thickness Specifications**

- Standard Door Thickness: 1 3/8" - 2"
- Standard Components:
  - Privacy Pin (for privacy sets)
  - Inside Passage Half Spindle
  - 1 1/2" Rosette Screws
  - Full-Lip Strike Plate

- **Extended** Door Thickness: 2" - 2 1/2"
- Extended Components:
  - Privacy Pin w/ Extension (for privacy sets)
  - Long Inside Passage Half Spindle
  - 2" Rosette Screws
  - Extended Full-Lip Strike Plate

- **Extended** Door Thickness: 2 1/2" - 3"
- Extended Components:
  - Privacy Pin w/ Extension (for privacy sets)
  - Extra Long Inside Passage Half Spindle
  - 2 1/2" Rosette Screws
  - Extended Full-Lip Strike Plate